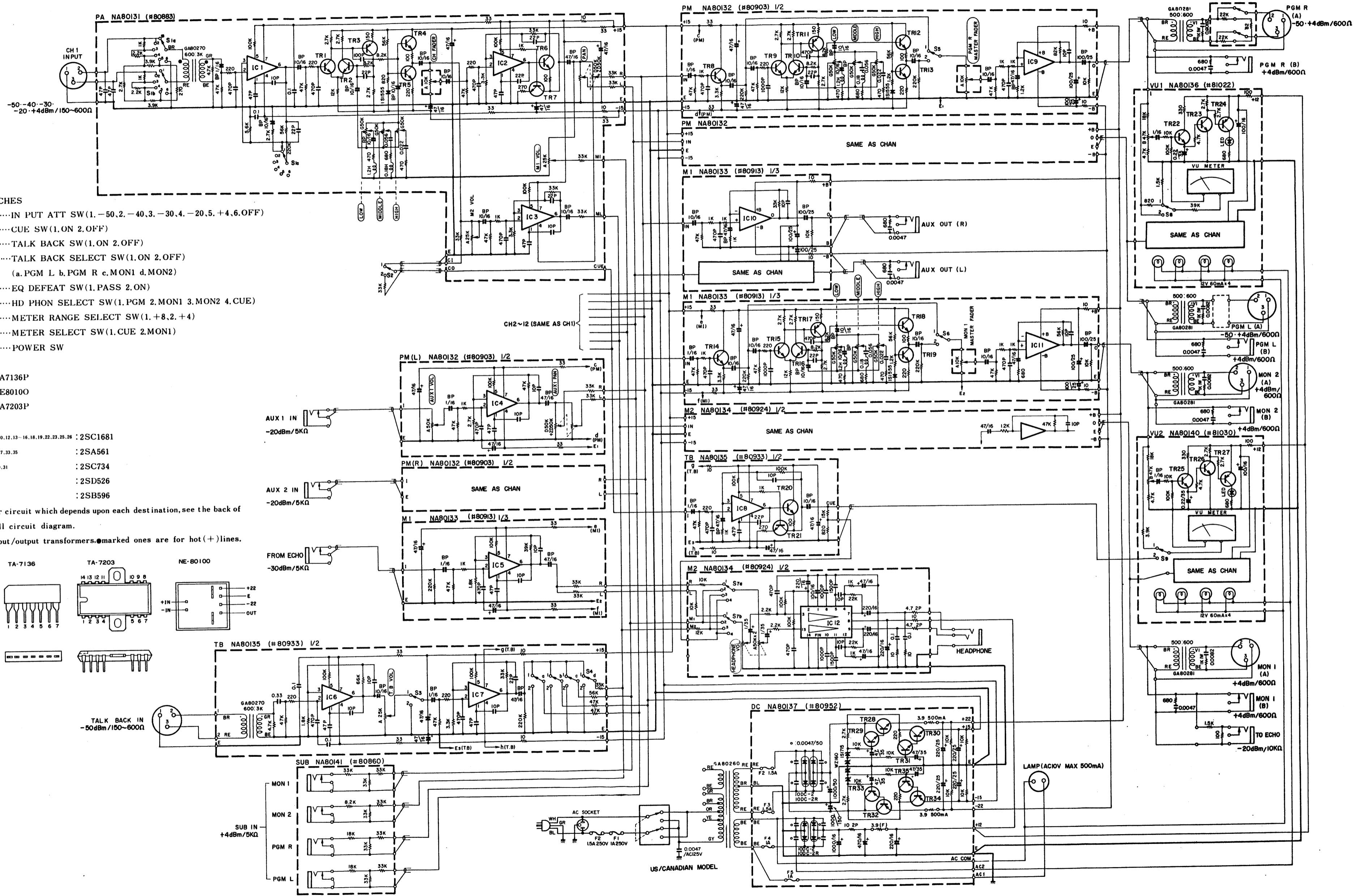


PM-700 PAMIXR SCHEMATIC DIAGRAM



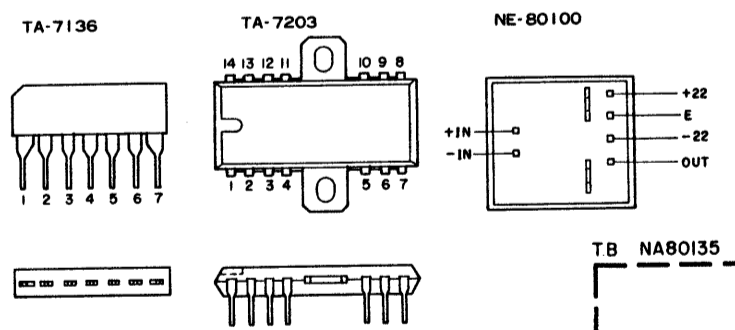
- NOTE) 1. SWITCHES
- S_{1a,b,c}.....IN PUT ATT SW (1. -50. 2. -40. 3. -30. 4. -20. 5. +4. 6. OFF)
 - S₂.....CUE SW (1. ON 2. OFF)
 - S₃.....TALK BACK SW (1. ON 2. OFF)
 - S_{1a,b,c,d}.....TALK BACK SELECT SW (1. ON 2. OFF)
(a. PGM L b. PGM R c. MON1 d. MON2)
 - S_{5,s}.....EQ DEFEAT SW (1. PASS 2. ON)
 - S_{7a,b}.....HD PHON SELECT SW (1. PGM 2. MON1 3. MON2 4. CUE)
 - S₈.....METER RANGE SELECT SW (1. +8. 2. +4)
 - S₉.....METER SELECT SW (1. CUE 2. MON1)
 - S₁₀.....POWER SW

2. ICs
- IC₁₋₈ : TA7136P
 - IC₉₋₁₁ : NE80100
 - IC₁₂ : TA7203P

3. TRs
- TR_{1,2,4,5,8-10,12,13-16,18,19,22,23,25,26} : 2SC1681
 - TR_{3,11,17,24,27,33,35} : 2SA561
 - TR_{6,7,20,21,29,31} : 2SC734
 - TR_{28,30} : 2SD526
 - TR_{32,34} : 2SB596

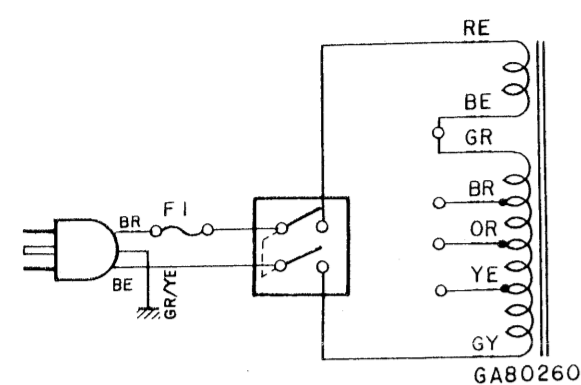
4. For power circuit which depends upon each destination, see the back of the overall circuit diagram.

5. As for input/output transformers, ⊙ marked ones are for hot (+) lines.

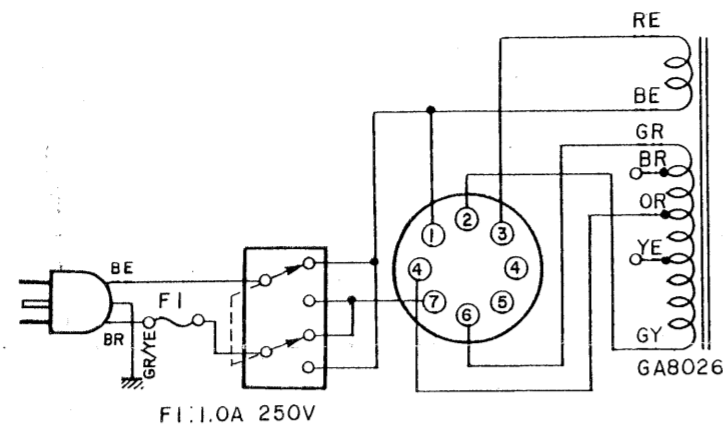


POWER CIRUCIT ARRANGEMENTS

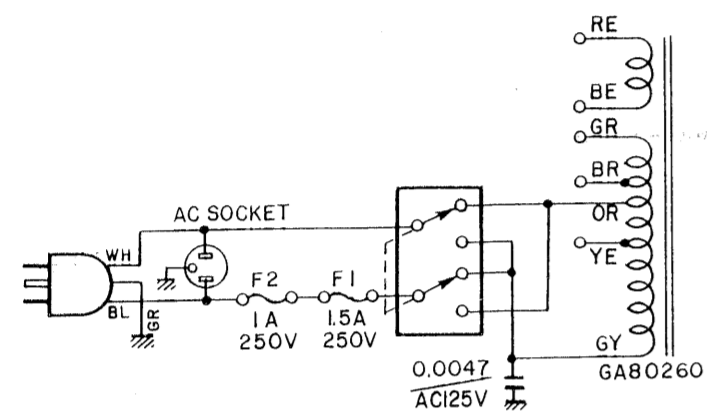
FOR AUSTRALIAN MODEL



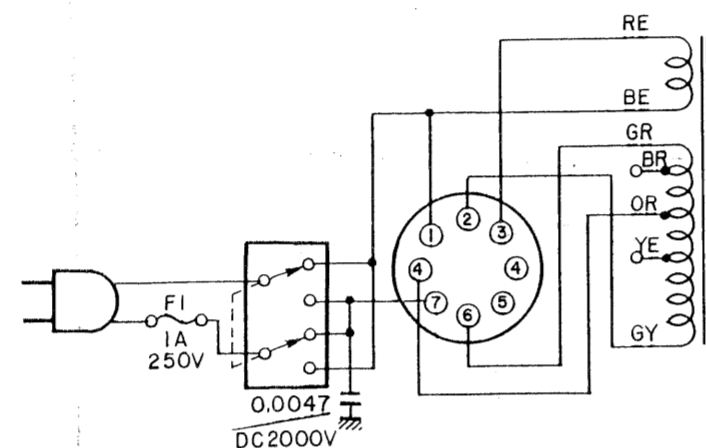
FOR SOUTH AFRICAN MODEL



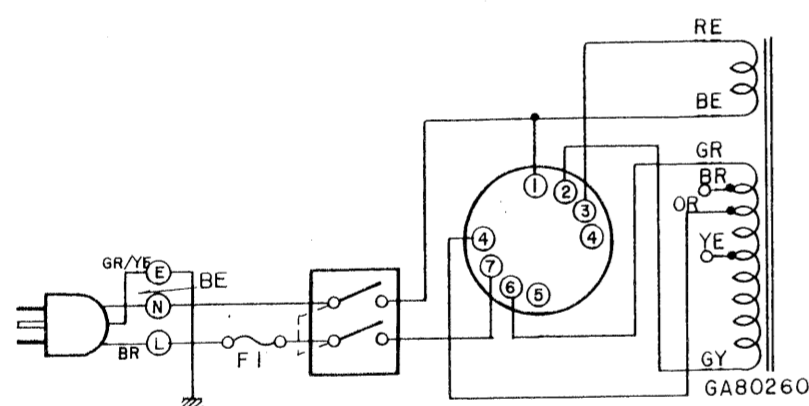
FOR U.S./CANADIAN MODELS



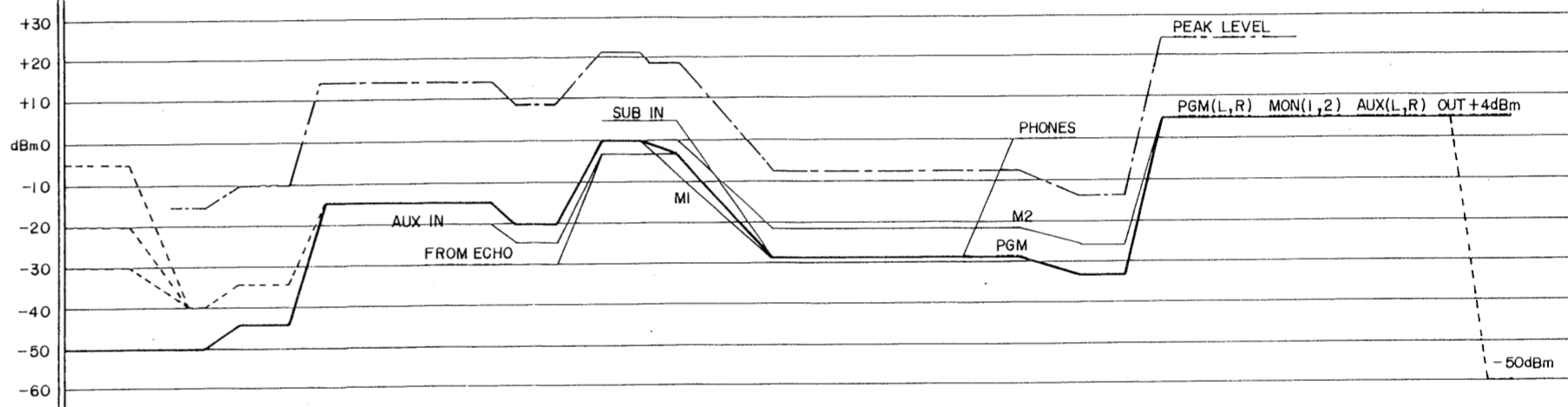
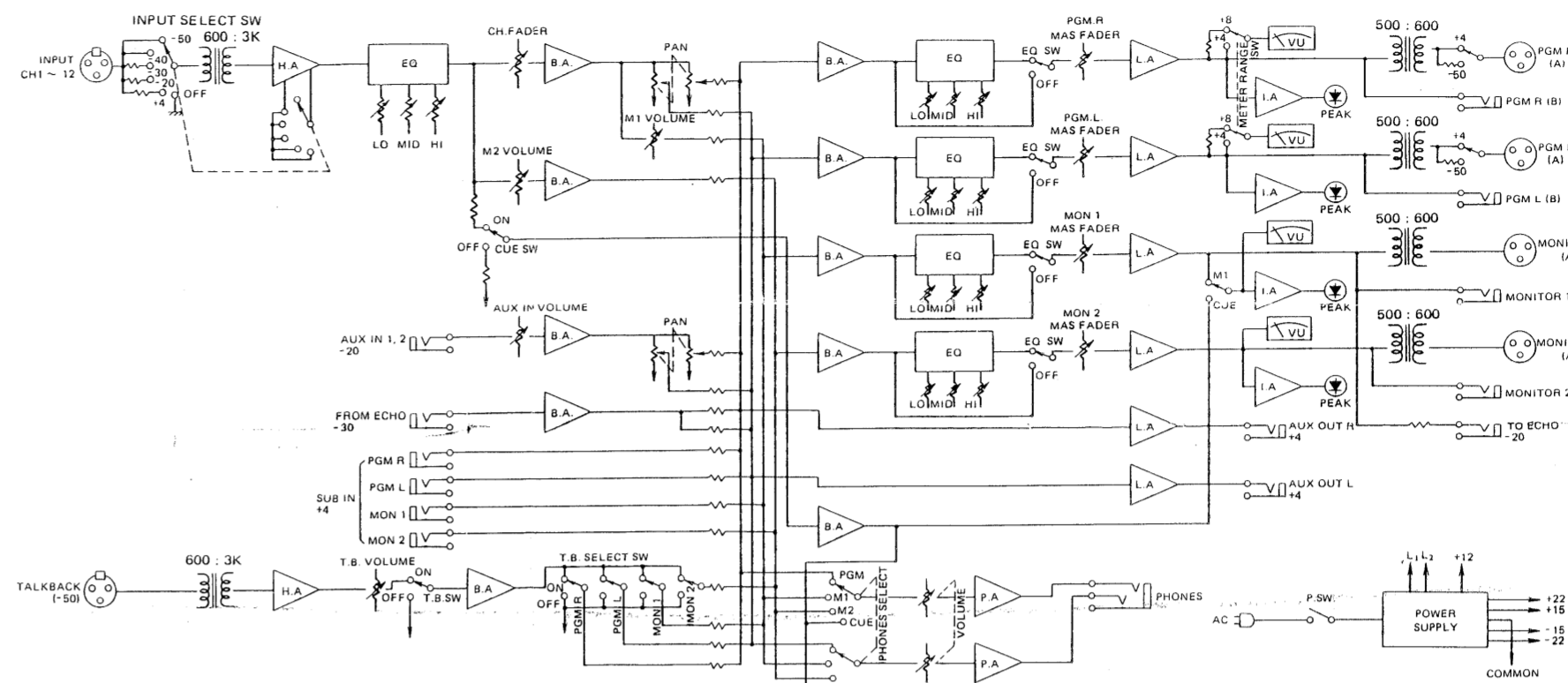
FOR GENERAL MODEL



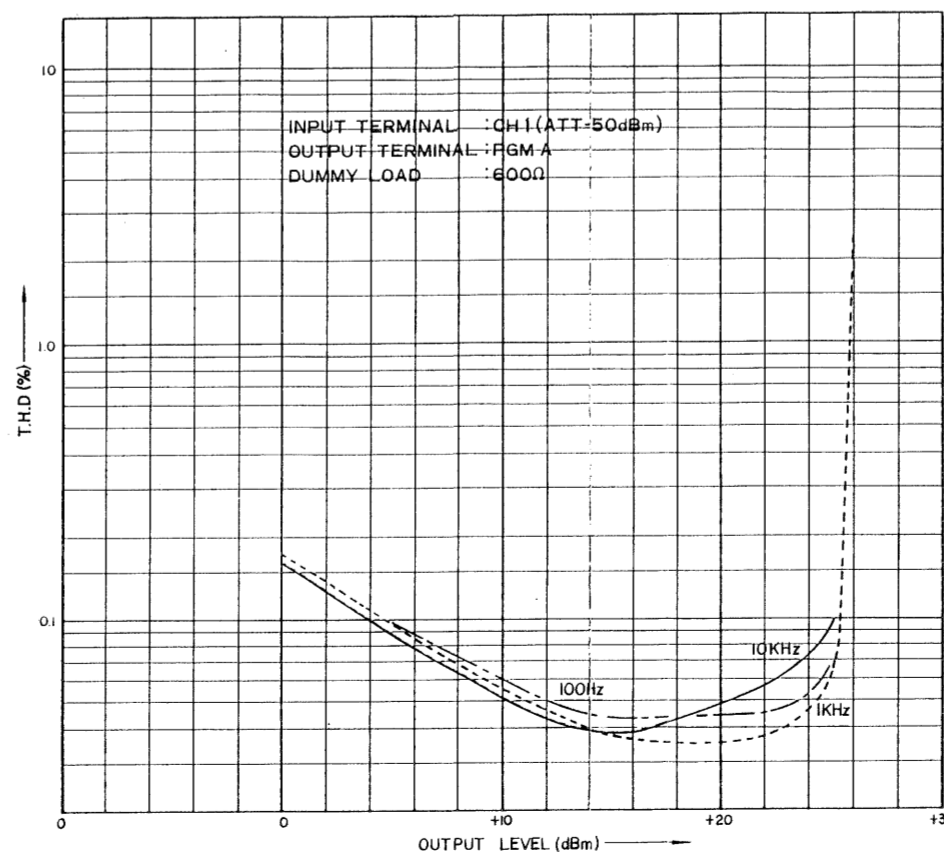
FOR B.S./NORTH EUROPEAN MODELS



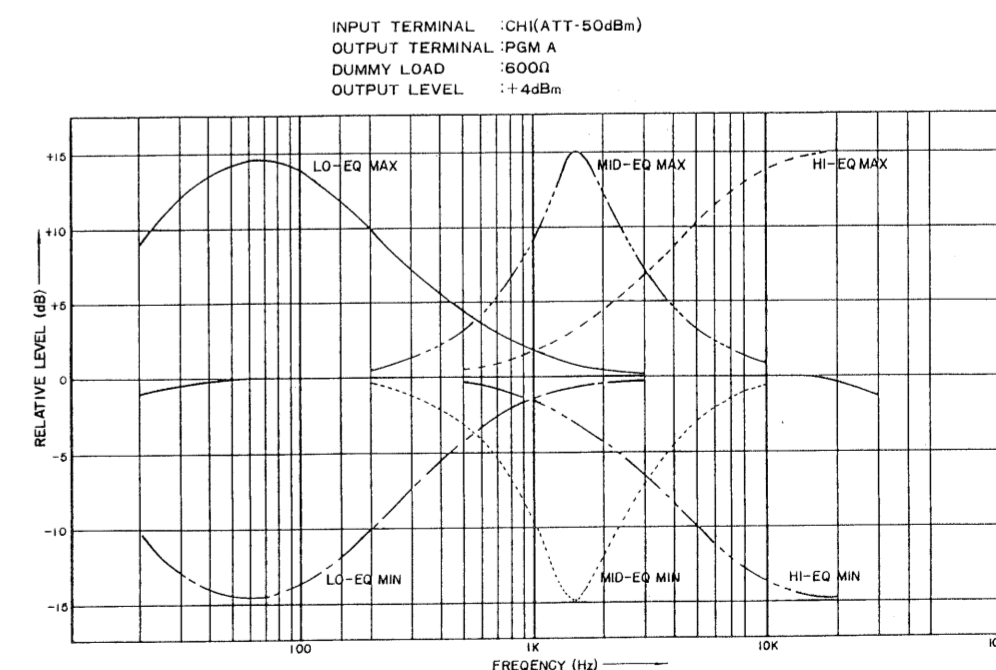
BLOCK & LEVEL DIAGRAM



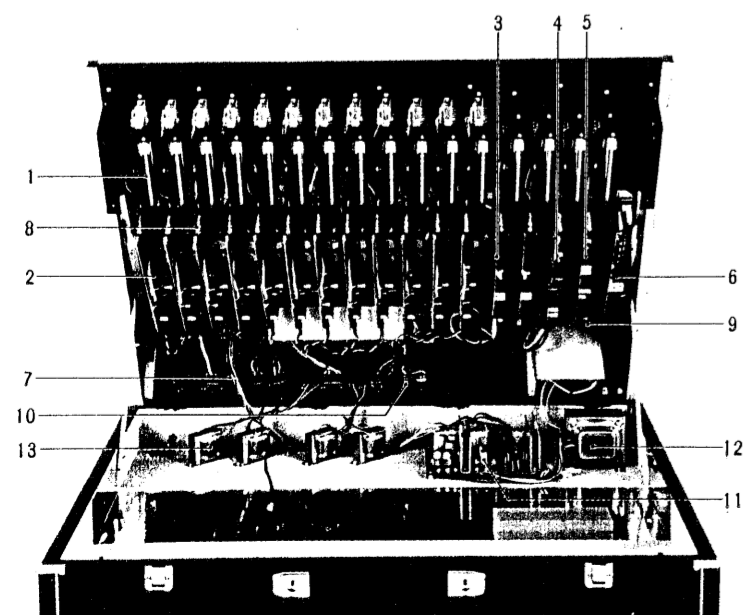
TOTAL HARMONIC DISTORTION



TYPICAL FREQUENCY RESPONSE



Circuit Board Arrangement is Compornents.



- 1. 401000HQ500020 Fader 75 m/m x 16
- 2. 305400NA801310 PA Circuit Board x 2
- 3. 305400NA801320 PM Circuit Board x 2
- 4. 305400NA801330 M1 Circuit Board
- 5. 305400NA801340 M2 Circuit Board
- 6. 305400NA801350 TB Circuit Board
- 7. 305400NA801420 OUT Circuit Board
- 8. 305400NA801440 J2 Circuit Board
- 9. 305400NA801430 J1 Circuit Board
- 10. 305400NA801450 SW Circuit Board
- 11. 305400NA801370 DC Circuit Board
- 12. 401000GA802600 Power Transformer
- 13. 401000GA802810 Output Transformer
- 305400NA801400 SUB Circuit Board
- 305400NA801360 VU1 Circuit Board
- 305400NA801400 VU2 Circuit Board
- 401000Ji000390 (Big) VU Meter
- 401000Ji000400 (Small) VU Meter
- 401000MZ801650 LED Ass'y
- 401000LB300150 Cannon Connector Socket XLR3-31
- 401000LB300160 Cannon Connector Socket XLR3-32
- 401000GA802700 Input Transformer

PM-700 PAMIXR SCHEMATIC DIAGRAM

NOTE) 1. SWITCHES

- S_{1a,b,c}.....IN PUT ATT SW(1.-50.2.-40.3.-30.4.-20.5.+4.6.OFF)
- S₂.....CUE SW(1.ON 2.OFF)
- S₃.....TALK BACK SW(1.ON 2.OFF)
- S_{4a,b,c,d}.....TALK BACK SELECT SW(1.ON 2.OFF)
(a.PGM L b.PGM R c.MON1 d.MON2)
- S_{5,6}.....EQ DEFEAT SW(1.PASS 2.ON)
- S_{7a,b}.....HD PHON SELECT SW(1.PGM 2.MON1 3.MON2 4.CUE)
- S₈.....METER RANGE SELECT SW(1.+8.2.+4)
- S₉.....METER SELECT SW(1.CUE 2.MON1)
- S₁₀.....POWER SW

2. ICs

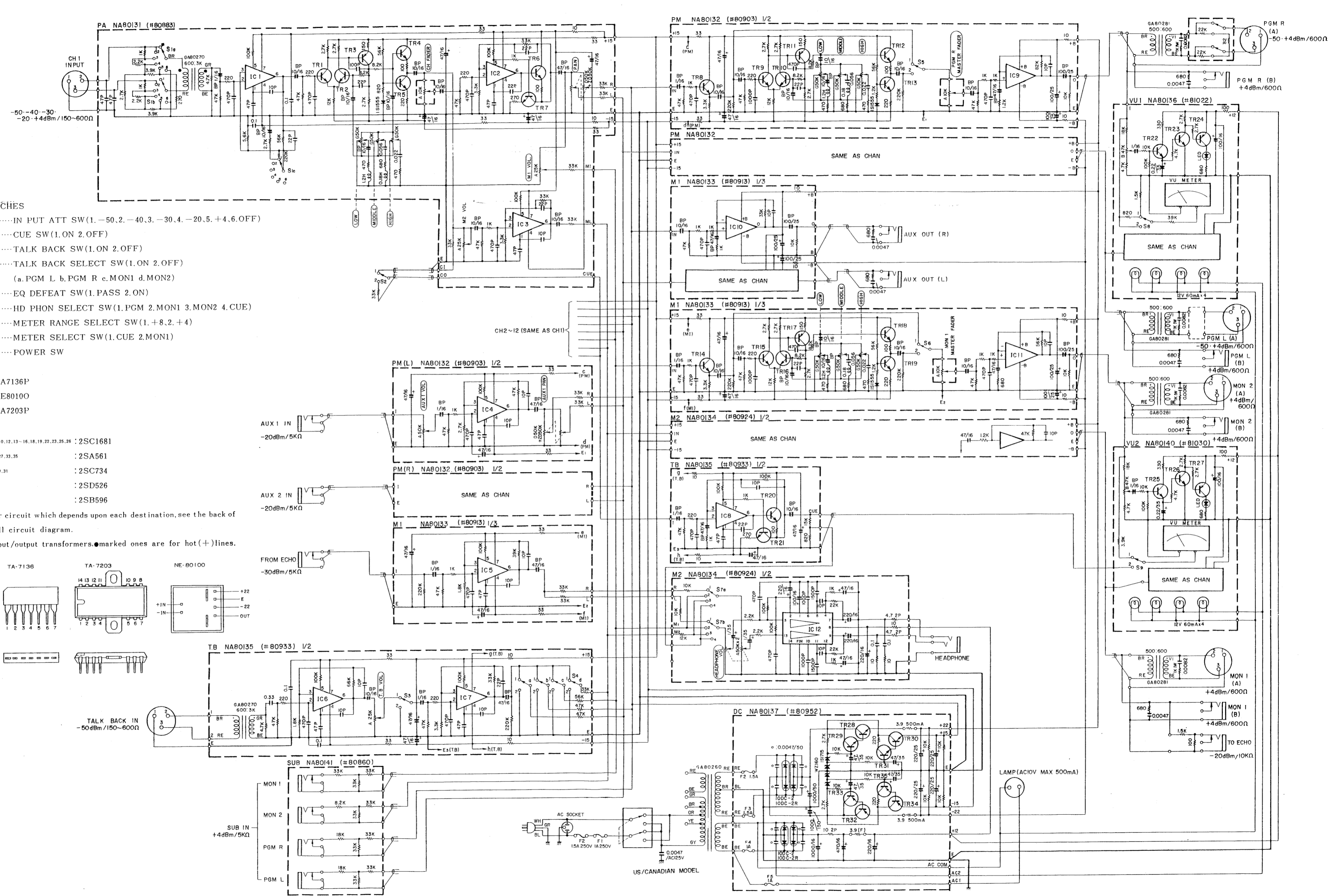
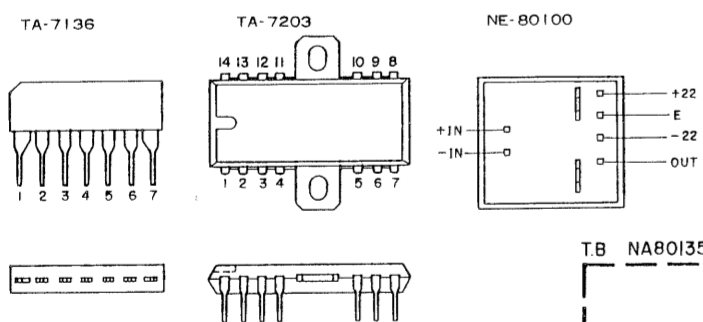
- IC₁₋₈ : TA7136P
- IC₉₋₁₁ : NE80100
- IC₁₂ : TA7203P

3. TRs

- TR_{1,2,4,5,8-10,12,13-16,18,19,22,23,25,26} : 2SC1681
- TR_{3,11,17,24,27,33,35} : 2SA561
- TR_{6,7,20,21,29,31} : 2SC734
- TR_{28,30} : 2SD526
- TR_{32,34} : 2SB596

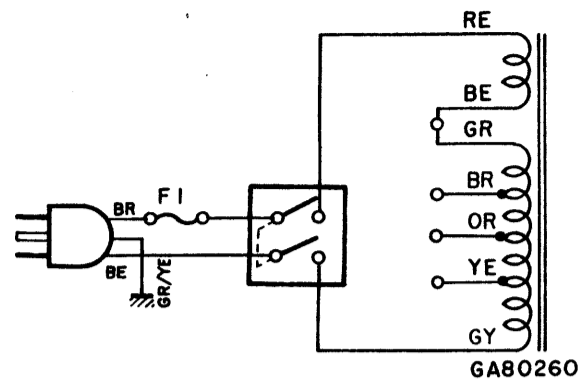
4. For power circuit which depends upon each destination, see the back of the overall circuit diagram.

5. As for input/output transformers, marked ones are for hot(+) lines.

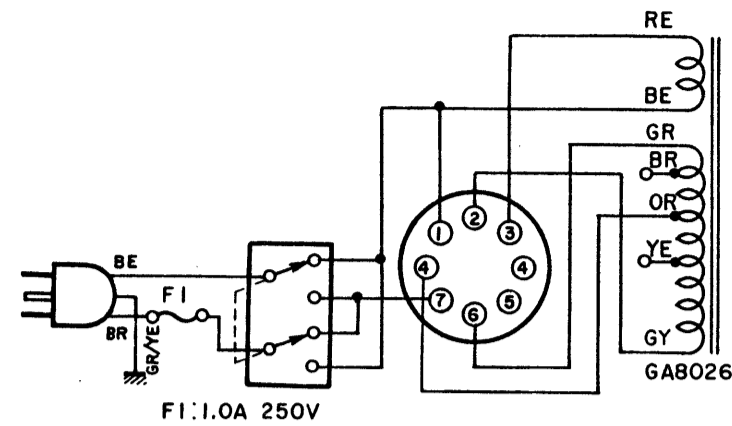


POWER CIRCUIT ARRANGEMENTS

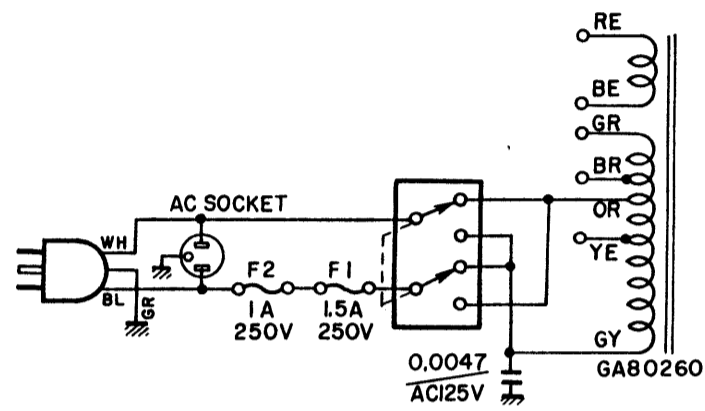
FOR AUSTRALIAN MODEL



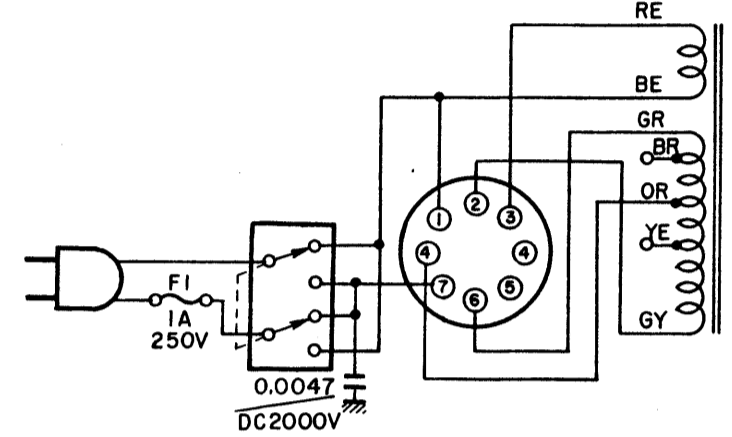
FOR SOUTH AFRICAN MODEL



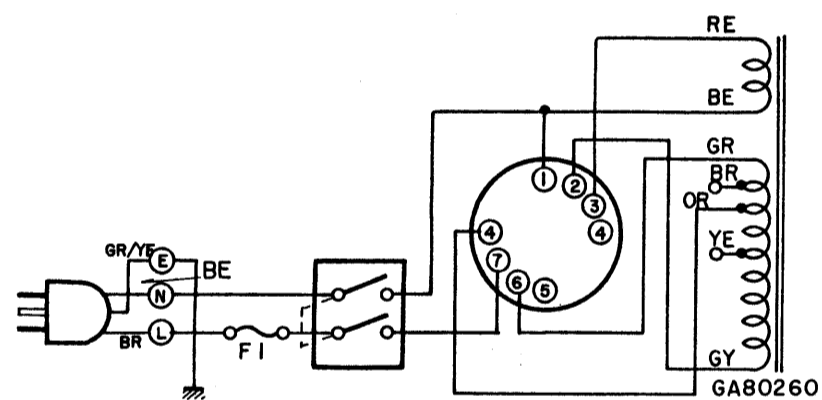
FOR U.S./CANADIAN MODELS



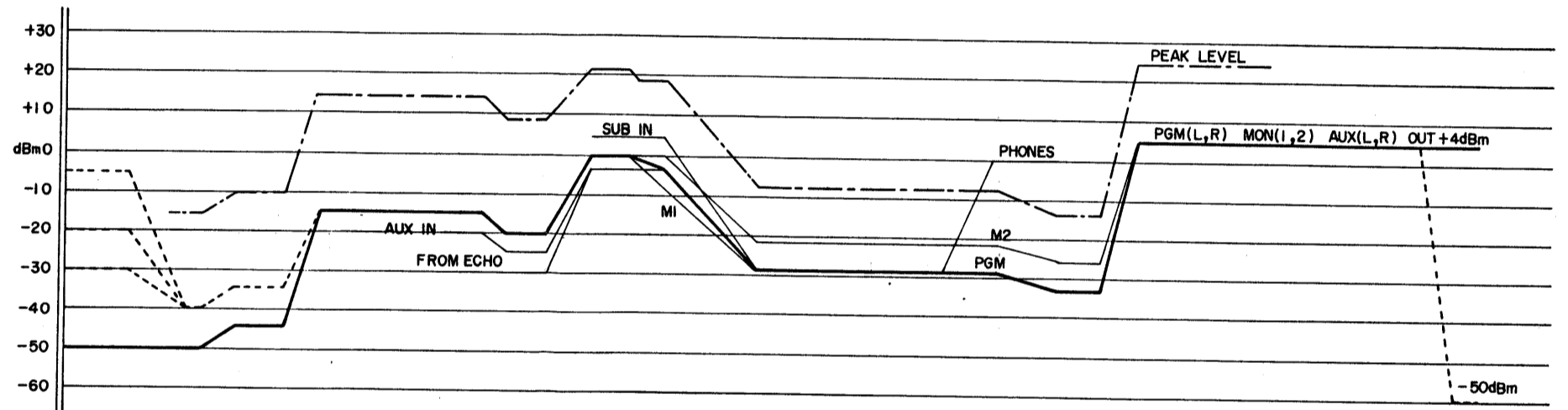
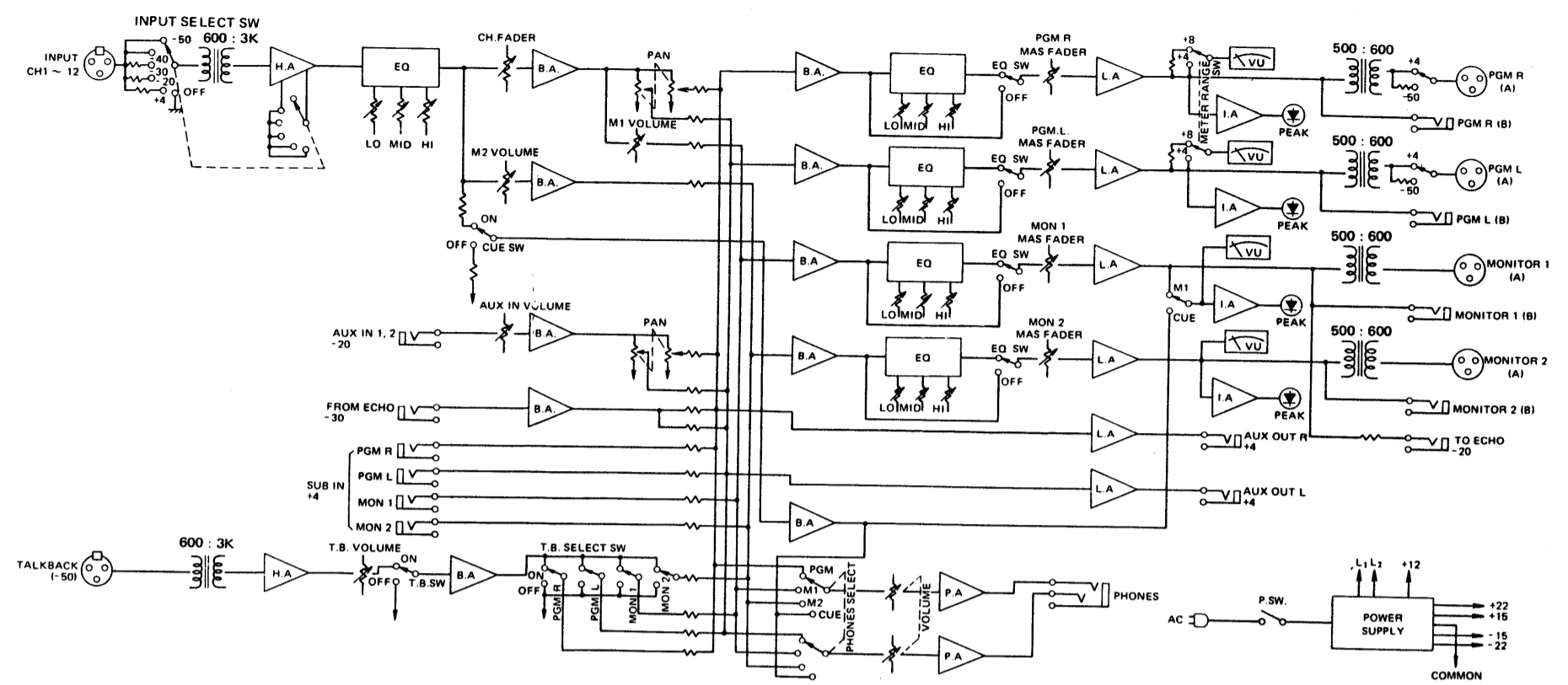
FOR GENERAL MODEL



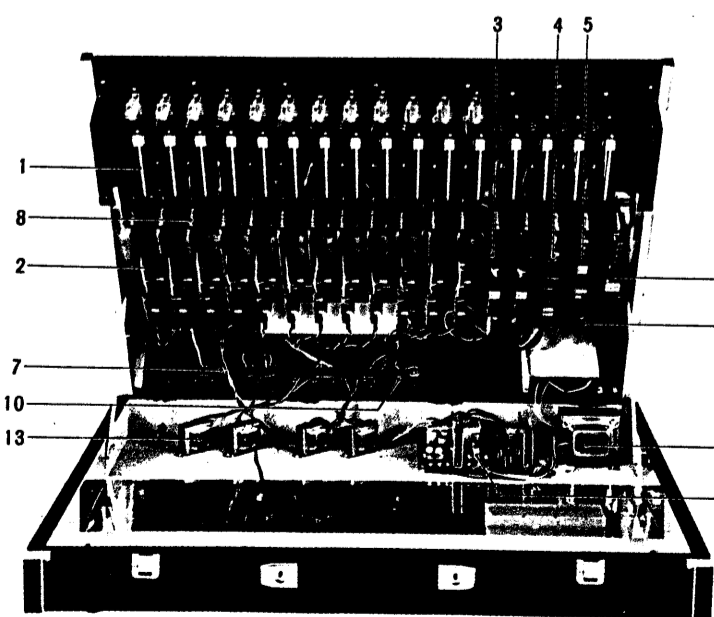
FOR B.S./NORTH EUROPEAN MODELS



BLOCK & LEVEL DIAGRAM

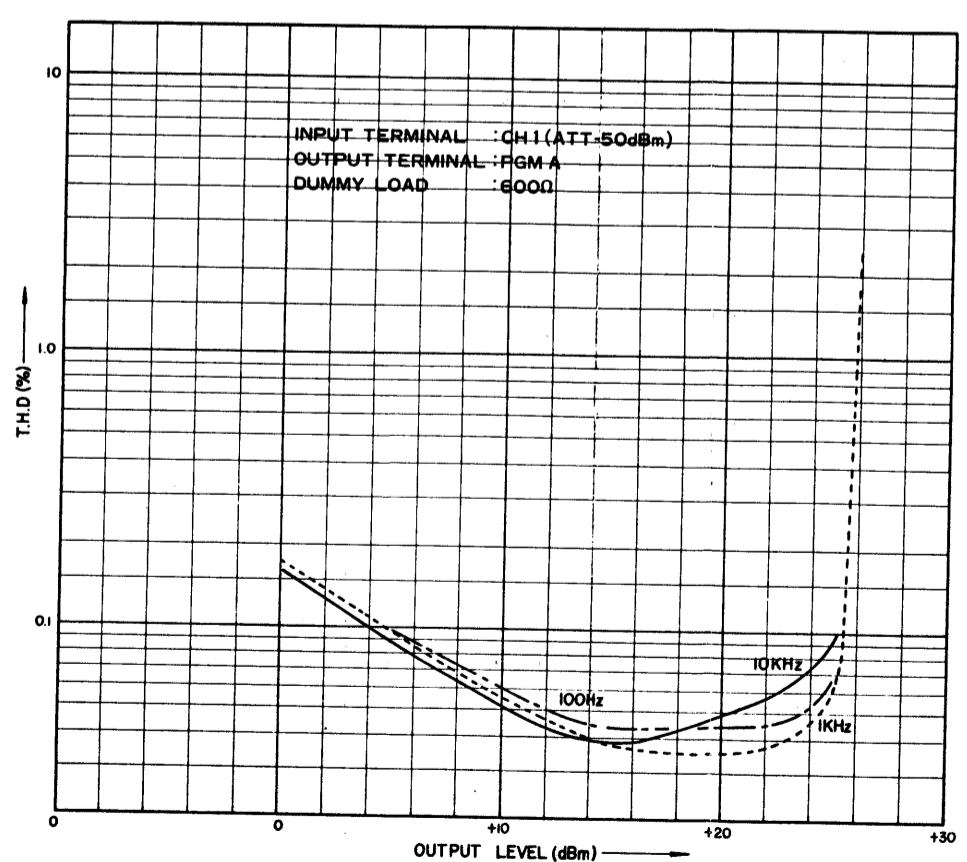


Circuit Board Arrangement is Components.



1. 401000HQ500020 Fader 75 m/m x 16
2. 305400NA801310 PA Circuit Board x 12
3. 305400NA801320 PM Circuit Board x 2
4. 305400NA801330 M1 Circuit Board
5. 305400NA801340 M2 Circuit Board
6. 305400NA801350 TB Circuit Board
7. 305400NA801420 OUT Circuit Board
8. 305400NA801440 J2 Circuit Board
9. 305400NA801430 J1 Circuit Board
10. 305400NA801450 SW Circuit Board
11. 305400NA801370 DC Circuit Board
12. 401000GA802600 Power Transformer
13. 401000GA802810 Output Transformer
- 305400NA801400 SUB Circuit Board
- 305400NA801360 VU1 Circuit Board
- 305400NA801400 VU2 Circuit Board
- 401000J1000390 (Big) VU Meter
- 401000J1000400 (Small) VU Meter
- 401000M2801650 LED Ass'y
- 401000L300150 Cannon Connector Socket XLR3-31
- 401000L300160 Cannon Connector Socket XLR3-32
- 401000GA802700 Input Transformer

TOTAL HARMONIC DISTORTION



TYPICAL FREQUENCY RESPONSE

